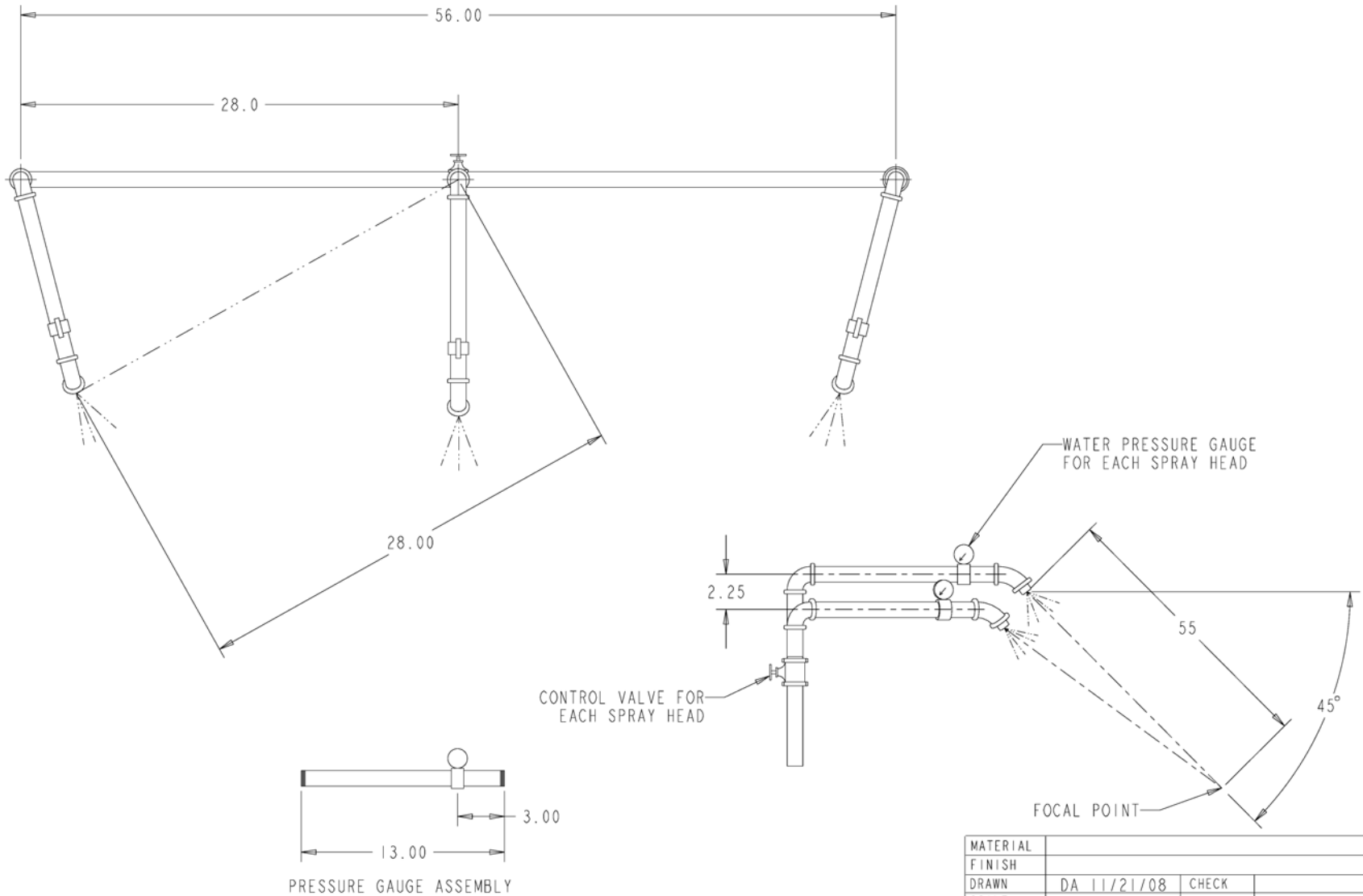


NOTES:
 NYLON RAIN TEST NOZZLES ARE AVAILABLE BY SEARCHING
 THE WEBSITE WWW.COMM-2000.COM FOR "RAIN TEST NOZZLES".



MATERIAL			
FINISH			
DRAWN	DA 11/21/08	CHECK	
SCALE		APPROV	
UNLESS OTHERWISE SPECIFIED TOLERANCES ARE			
2 PLACE	3 PLACE	ANGLE	
 SentrySafe 900 LINDEN AVENUE ROCHESTER, NEW YORK 14625			
TITLE SPRAY RESISTANCE TEST STAND			
DRAWING NO.		EX-08258	

REV	ECO	DESCRIPTION	INT.	DATE	CHK	APP

DO NOT SCALE
 WORK TO DIMENSIONS

This drawing and the information contained
 there on is considered proprietary to
 John D. Brush & Co., Inc.